



## Low Profile Brewing for Thermal Servers

**ACE** models incorporate unique design features that include: a water level detection system that eliminates evaporation short pots, an adjustable brew safety light which flashes during the brew cycle to alert the user the brew cycle is in process, and a gravity hot water faucet system which dispenses hot water while brewing without altering the brew volume.

All the features are built into a stainless steel cabinet for long stability and durability.



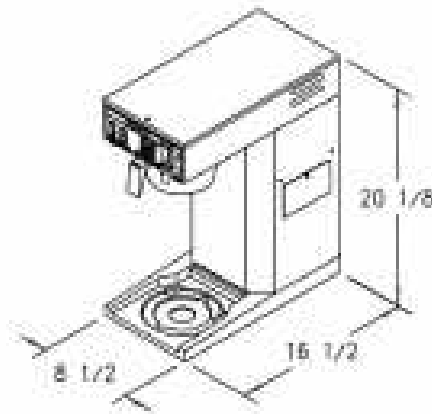
### Dispenser Options





## Specifications

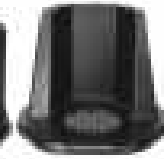
- Low Profile commercial brewer that fits under most countertops
- Ready light indicates optimum brew temperature
- Flashing brew light alerts user that coffee is brewing
- Universal base for perfect dispenser alignment
- Gravity fed hot water faucet for tea, soups and hot food
- Tank "ON/OFF" switch for easy installation
- Pulse brewing option - when turned "on" allows pulsation of water over coffee grounds of coffee
- Auto-arr capable. When activated locks out brew cycle until optimum temperature is achieved
- PDS Valve. The most accurate flow control on the market, eliminating service calls due to inconsistent pot levels



### Thermal Dispenser Base Options



701831-neg



701832-jumbo