



Thermal Coffee Brewers

FreshStart innovative coffee
System that's easy to set up a& use, easy to service,
Energy efficient & pleasing to the eye.

Product Features:

>One-pieced blow molded
Polycarbonate cabinet, won't
Rust, scratch, dent or stain

>Internal. Assembly can be
Completely removed easily
For service

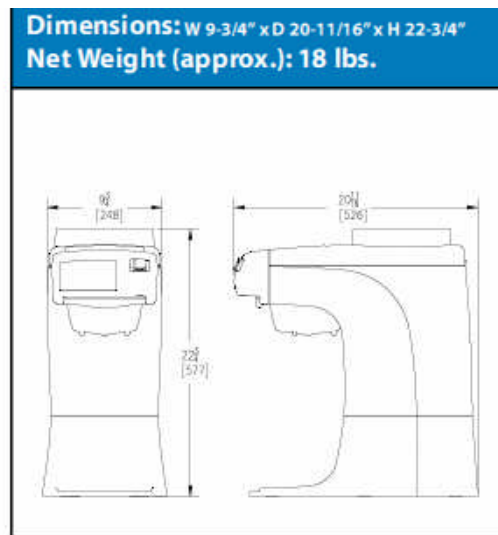
>High tech stainless steel thermal
Carafe keeps coffee fresh & hot
Up to 4-6 hours without the need
For a hot plate

>Offered in warm gray w/
Black accents





Thermal Technical Data & Specifications



Cabinet: One-piece blow molded of heavy-duty, textured polycarbonate. The colors are molded all the way through to help conceal scratches for years of use. Easy-to-clean cabinet will not rust, scratch, dent or stain. Plastic cabinet parts are corrosion-free and eliminate sharp edges and corners.

Internal Assembly : Internal assembly including hot tank can be completely removed with just a nutdriver. Easy access to dump solenoid valve and limited wiring from circuit board allow for easy cleaning and servicing. Steam is unable to seep inside the one-piece cabinet, eliminating scaling, corrosion and residue build-up inside the brewer.

Spray Head and Brew Basket: Spray head and brew basket plate work as a system to remove and clean easily.

Hot Water Safer Faucet: A unique integrated safety mechanism on the hot faucet reduces injury from accidental activation.

High Tech Stainless Steel Thermal Carafe (sold separately): Vacuum insulation keeps coffee hot and fresh for up to 4- 6 hours without the need for a hot plate. Unbreakable and spill-resistant, even when dropped. Carafe resists stains and does not require frequent cleaning or replacement like glass decanters do. Available in 64-ounce (1.9 liters) and 85-ounce (2.5 liters).

Optional Filter: Optional easy-to-access FreshStart™ filter system (#503448) reduces scale build-up as well as removes tastes and odors for great tasting coffee.

Safety: FreshStart™ is easy to set up and operate. Pot size remains in memory, even if units is unplugged. Anti-boil design for safety.

Warranty: (Continental limits of the United States and Canada) Limited 1-year Warranty. One year on most component parts. Detailed warranty certificate enclosed with each coffee brewer; sample copy available upon request.

Components in this coffee brewer are lead free as defined by the Safe Water Drinking Act Amendments of 1986, and the Lead Contamination Control Act of 1988. Model Listed by Underwriter's Laboratories to U.S. Standards.

Export Model: One year warranty on most component parts. Detailed warranty certificate with each coffee brewer; sample copy available upon request.